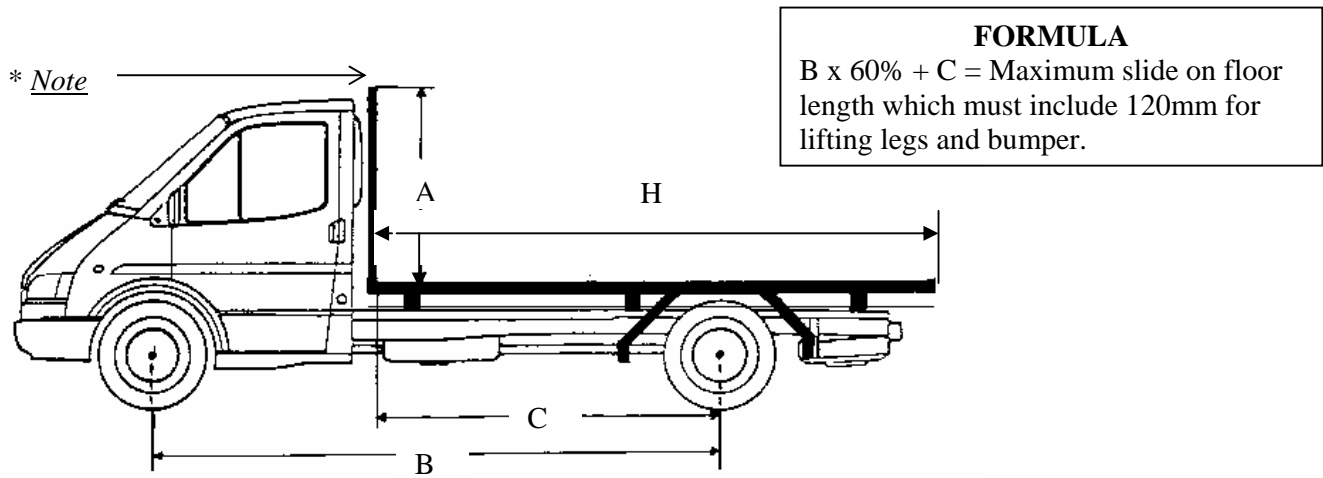
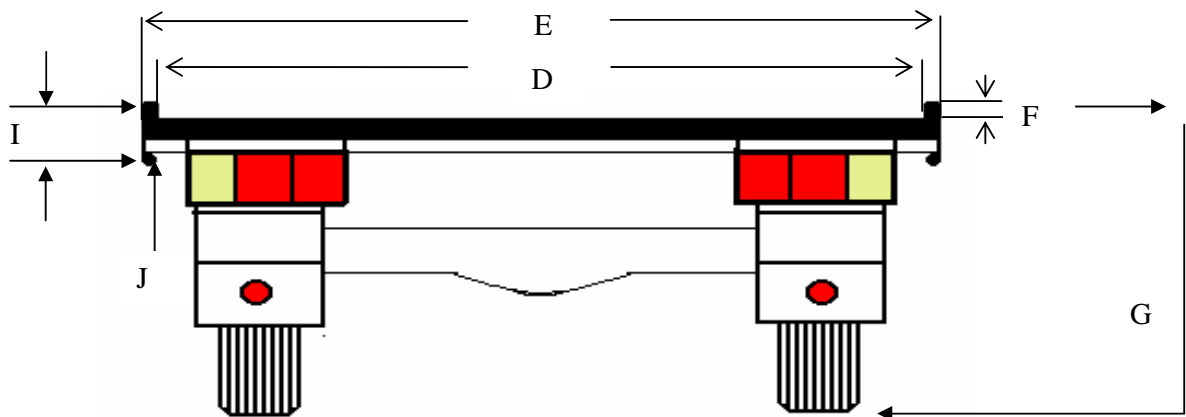


## Vehicle measurements for slide on camper



- A. Overall height of hurdle or cab from tray.....
- B. Wheelbase from centre of both axles .....
- C. Distance from rear of hurdle to centre of rear axle .....



- D. Inside measurement of tray area .....
- E. Overall measurement of tray width.....
- F. Height of side rail above tray level.....
- G. Overall distance from ground to top of side rail.....
- H. Tray length.....
- I. Tray level to bottom of tie rail .....
- J. Diameter of tie rail (mm) .....

**\*NOTE:** Preferred height of hurdle above cab is 25mm to 35mm

- Vehicle make .....
- Vehicle model.....
- Year of manufacture .....
- Tray and tie rail construction type .....